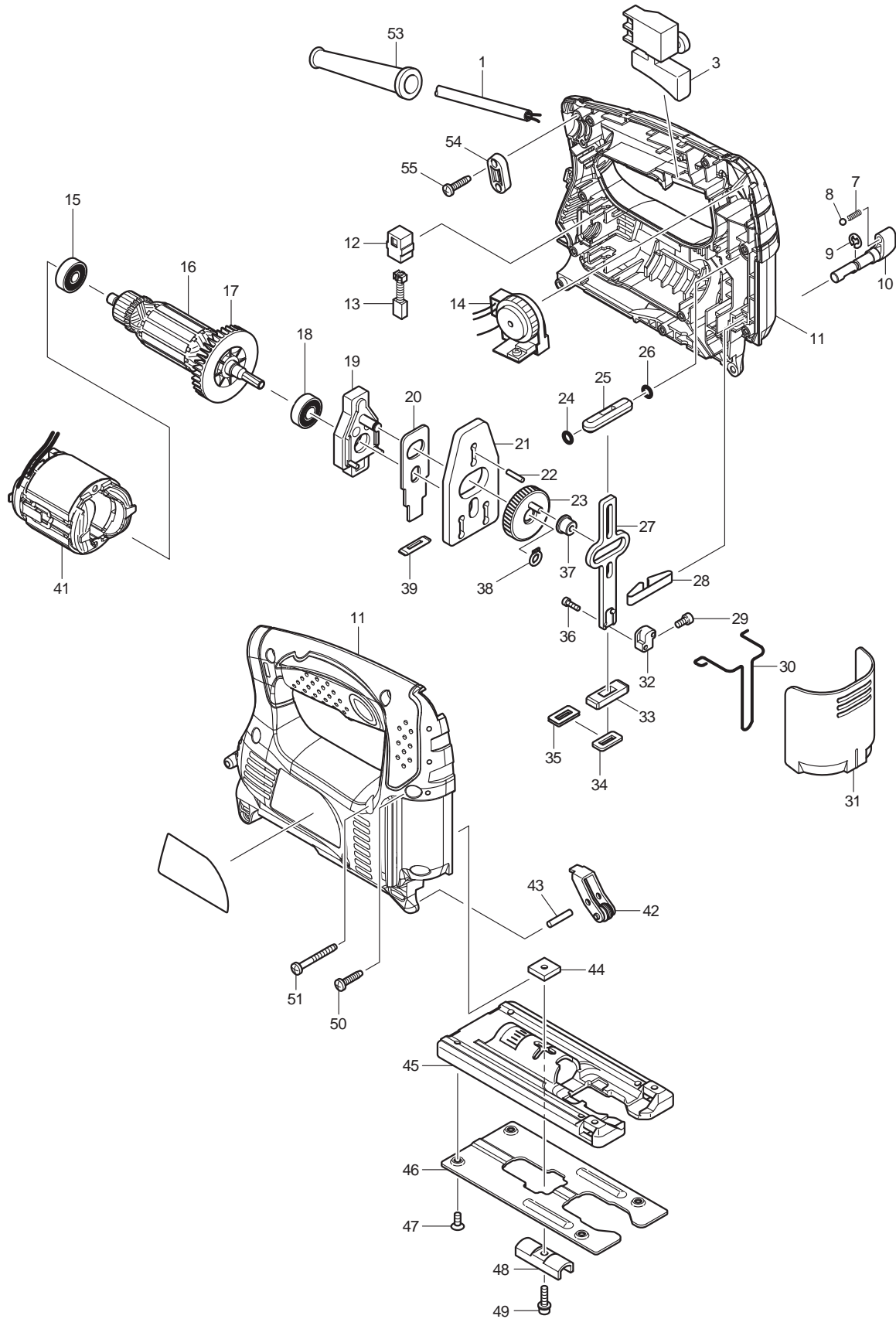




11 - 2009
4329 /4329K
JIG SAW



Item No	Type	Ref	Part No	Description	Qty	Unit
1			664881-2	CORD W/PLUG 2P-18-2.0M, SJ	1	PC.
3			651286-5	SWITCH SGEL206C-5	1	PC.
7			233151-6	COMPRESSION SPRING 4	1	PC.
8			216008-6	STEEL BALL 4	1	PC.
9			961011-9	STOP RING E-4	1	PC.
10			272239-7	LEVER 18	1	PC.
11			188338-4	HOUSING SET	1	SET
		INC.	263002-9	RUBBER PIN 4	2	PC.
12	1		643562-1	BRUSH HOLDER 5X8	2	PC.
	2		643552-4	BRUSH HOLDER 5-8	2	PC.
13	1		191956-9	CARBON BRUSH CB-75 2PC/SET (W/O ORIGIN)	1	SET
	2		194971-2	CARBON BRUSH CB-75 2PC/SET (W/ ORIGIN)	1	SET
14			631265-9	CONTROLLER 100-120V	1	PC.
15			210025-8	BALL BEARING 627LLB	1	PC.
16			515716-9	ARMATURE ASS'Y 115V	1	PC.
		INC.		Item No. 15,17,18		
17			241881-5	FAN 52	1	PC.
18			210005-4	BALL BEARING 608DDW	1	PC.
19			152600-3	BEARING CASE COMPLETE	1	PC.
20			344683-9	PUSH PLATE	1	PC.
21			344614-8	BALANCE PLATE	1	PC.
22			256254-9	PIN 3	1	PC.
23			153260-4	GEAR COMPLETE	1	PC.
24			213038-8	O RING 5	1	PC.
25			313082-6	SLIDER GUIDE	1	PC.
26			213038-8	O RING 5	1	PC.
27			344613-0	SLIDER	1	PC.
28			232183-0	LEAF SPRING	1	PC.
29			922107-1	HEX. SOCKET HEAD BOLT M4X8	1	PC.
30			323748-0	SAFETY WIRE	1	PC.
31			416476-5	DUST COVER	1	PC.
32			313140-8	BLADE CLAMP	1	PC.
33			313086-8	SLIDER SUPPORT	1	PC.
34			423307-1	POLY URETANE SPONGE SEAL	1	PC.
35			344686-3	SEAL PLATE	1	PC.
36			266177-3	HEX. SOCKET HEAD BOLT M3X10	2	PC.
37			257683-9	COLLAR SLEEVE	1	PC.
38			961002-0	RETAINING RING S-6	1	PC.
39			416703-0	DUST SEAL	1	PC.
41			633656-0	FIELD 115V	1	PC.
42			158392-2	RETAINER COMPLETE	1	PC.
43			256117-9	PIN 4	1	PC.
44			343540-8	HOLDER	1	PC.
45			317796-9	BASE	1	PC.
46			345441-6	BASE PLATE	1	PC.
47			912107-9	COUNTERSUNK HEAD SCREW M4X8	4	PC.
48			344685-5	CLAMP COMPLETE	1	PC.
49			922128-3	HEX. SOCKET HEAD BOLT M4X16	1	PC.
50			265995-6	TAPPING SCREW 4X18	9	PC.
51			266053-1	TAPPING SCREW 4X35	1	PC.
53			682569-2	CORD GUARD 8-85	1	PC.
54			687123-7	STRAIN RELIEF	1	PC.
55			265995-6	TAPPING SCREW 4X18	2	PC.
100			652008-6	PAN HEAD SCREW M3.5X7	4	PC.
101			654002-4	TERMINAL 1.25-M4	2	PC.
102			654037-5	INSULATED TERM. RBV1.25-3.5T	4	PC.
103			654509-0	CONNECTOR 2-SD	1	PC.

Item No	Type	Ref	Part No	Description	Qty	Unit
<u>ACCESSORIES</u>			- See catalogue or visit www.makita.ca for optional accessory -			
A01			792529-7	JIG SAW BLADE B-10, 5PK/SET	1	PC.
A02			783201-2	HEX. WRENCH 3	1	PC.
A03			824572-9	PLASTIC CARRYING CASE	1	PC.
		INC.	186347-7	SLIDE LATCH SET	1	SET
	Opt		824744-6	PLASTIC CARRYING CASE	1	PC.
		INC.	417059-4	LATCH	2	PC.
A04			192278-0	HOSE COMPLETE 28-1.5	1	PC.
			192279-8	HOSE COMPLETE 28-3.0	1	PC.
A05			192732-4	COVER PLATE	1	SET
		INC.	165217-3	GUIDE RULE - N/A individually	1	PC.
		INC.	271601-3	KNOB 20	1	PC.
		INC.	323802-0	GUIDE PIN	1	PC.
		INC.	922107-1	HEX. SOCKET HEAD BOLT M4X8	1	PC.
A06			415524-7	ANTI-SPLITTING DEVICE	1	PC.
A07			417852-6	COVER PLATE	1	PC.